

Digital Counter

LC1 series

Digital Counter LCD display

LC1 series




FEATURES

- Compact size LCD indicating total counter
- Battery built in so external power is not needed
- Reusing possible by replacing to the new battery
- Long battery life due to the less power consumption
- Non-voltage input of voltage input
- IP66 protective structure (front side)

Digital Counter

LC1 series

SPECIFICATIONS

Model		LC1	LC1-F
Appearance			
Input type		Non-voltage input	Voltage input
Power supply voltage		Lithium battery built in	
Dimension		DIN 48 × 24 mm	
Input action		UP Count	
Computation speed		1 / 30 / 100 / 1K cps	20 cps
Input Condition		Remaining voltage when breaks : Max 0.7 V	HIGH : 24 - 240 V a.c / 6 - 240 V d.c
		Max impedance when breaks : Max 10 kΩ	Low : 0 - 2 V a.c / d.c
		Min impedance when opens : Min 1 MΩ	
Reset	Input type	Non-voltage input	
	Min signal width	Min 20 ms	
Battery life expectancy		At least 7 years (approx. 25°C) ※ This is calculated value so it is not certified value (Replacing cycle reference value)	
External setting switch		Switch1 : internal power/front reset selectable	Switch1 : internal power/front reset selectable
		Switch2 : computing speed selectable (4 kinds)	
External connection		Terminal (4P)	
Display method		7 segments LCD (character height : 8.7 mm)	
Displayable digits		8 digits	
Insulation resistance		Min 100 MΩ (500 V d.c), conductive terminal non-recharging metal	
Dielectric strength		2000 V a.c 50/60 Hz for 1 min (conductive part-disposable metal)	
Vibration resistance		10 - 55 Hz, double amplitude 0.75 mm, each direction in 3 axis, 2h	

Digital Counter

LC1 series

Shock resistance	300 m/s ² , each direction in 3 axis each 3 times
Ambient temperature	-10 ~ 55 °C
Ambient humidity	35 ~ 85 % RH
Storage temperature	-20 ~ 65 °C
Degree of protection	IP66 (Front side)
Weight	58 g

Suffix code

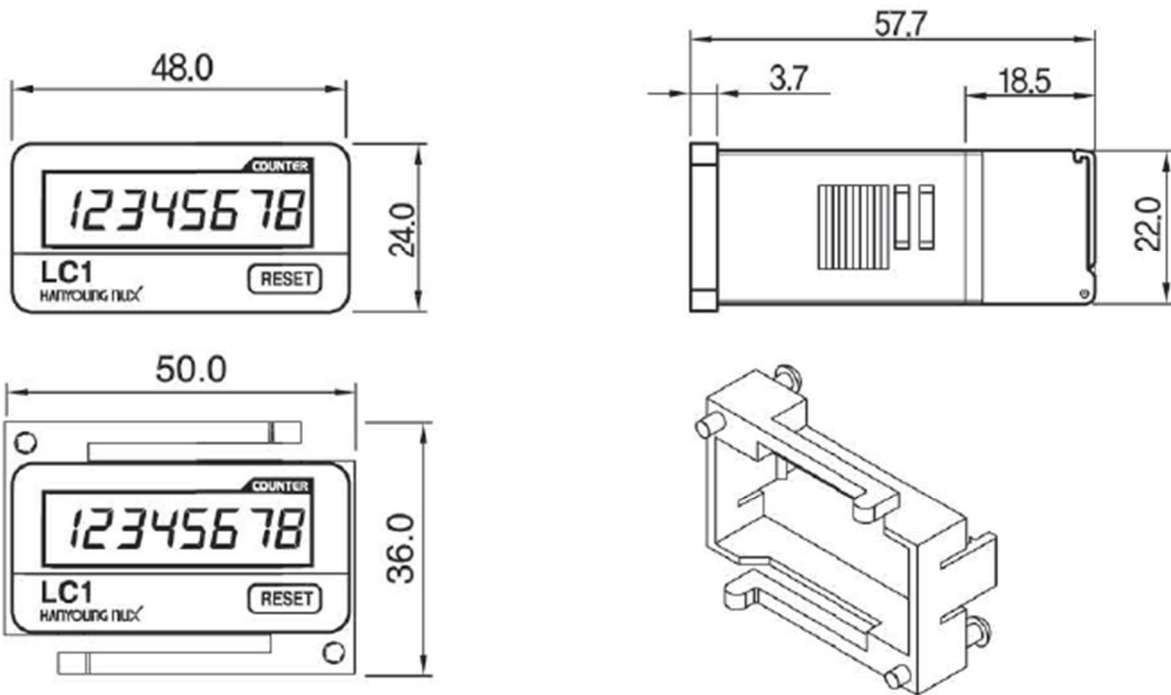
Model	Code	Information
LC1-	□	Compact LCD display total counter (dimension : DIN 48 × 24 mm)
Input signal	N	Non-voltage input (no indication)
	F	Voltage input (24 - 240 V AC, 6 - 240 V DC)

Digital Counter

LC1 series

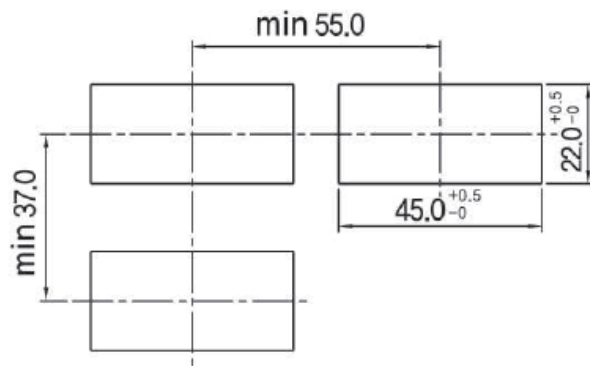
Dimension and panel cutout / connection diagram

- Dimension (Unit : mm)



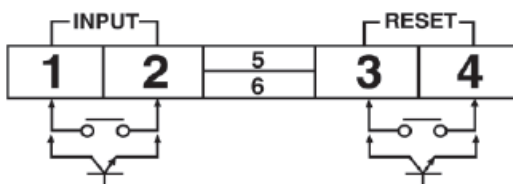
Fixing adapter (FA-241)

- Panel cutout (Unit : mm)



- Connection diagram

- Non-voltage input (LC1)



- Free-voltage input (LC1-F)

